

6

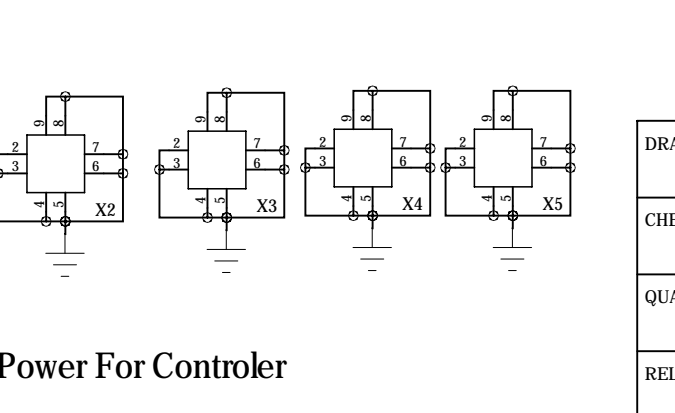
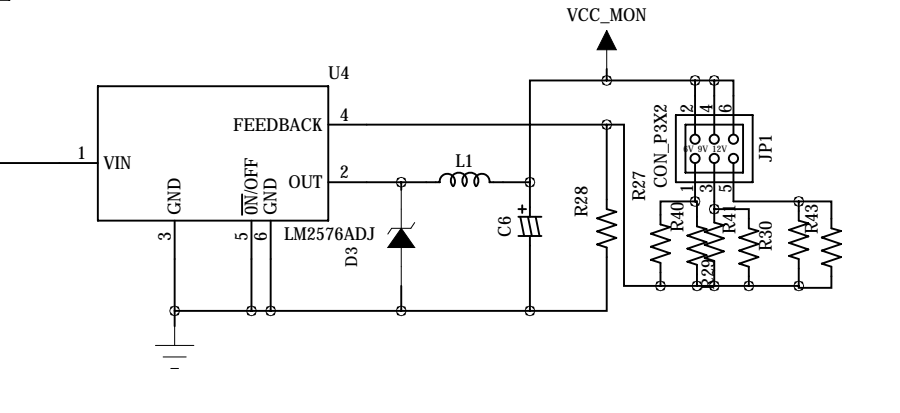
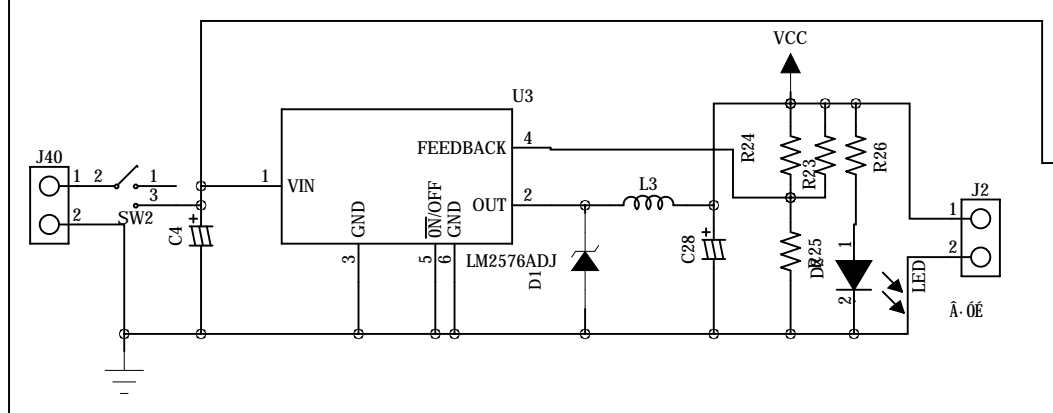
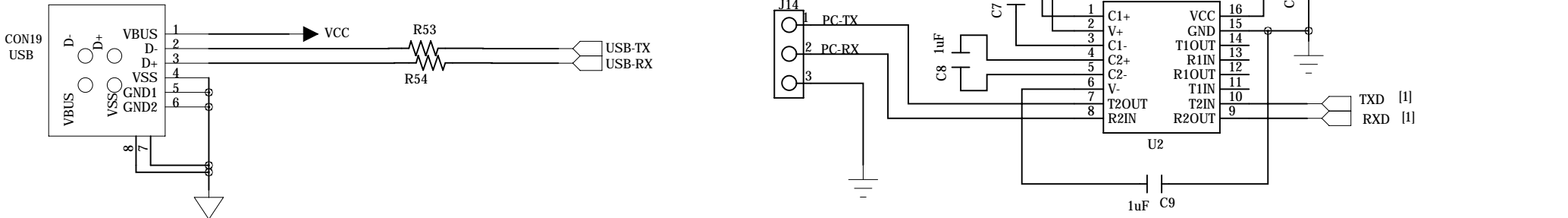
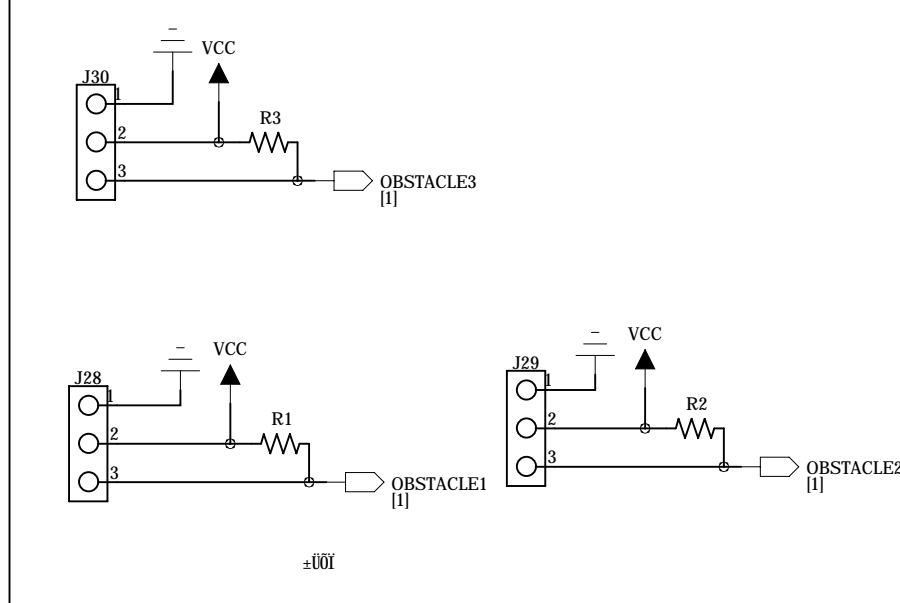
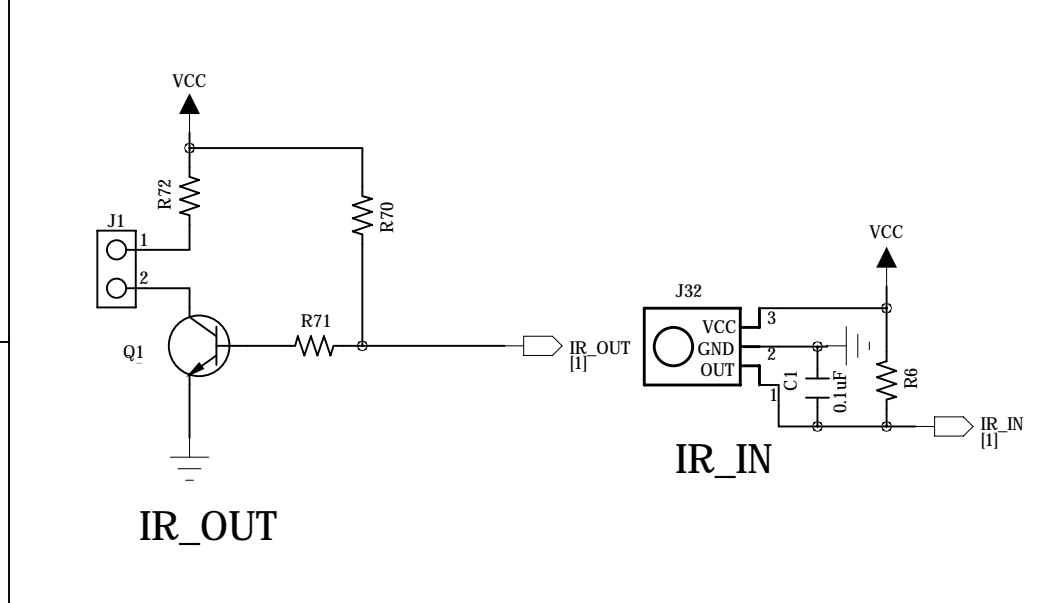
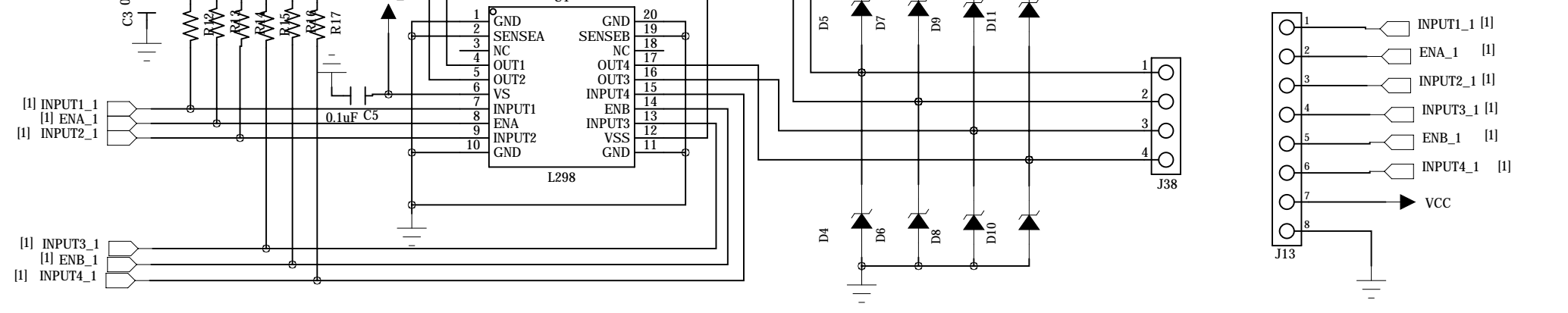
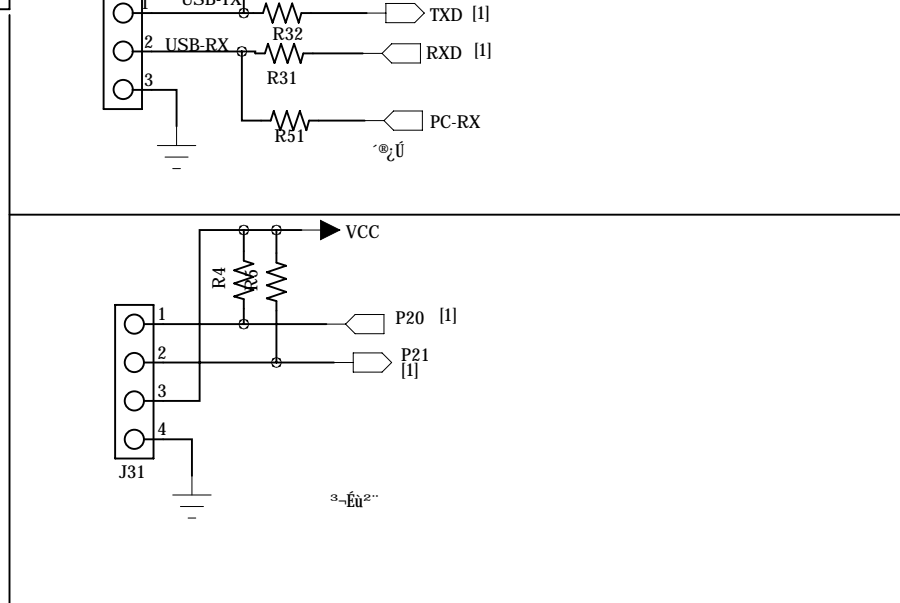
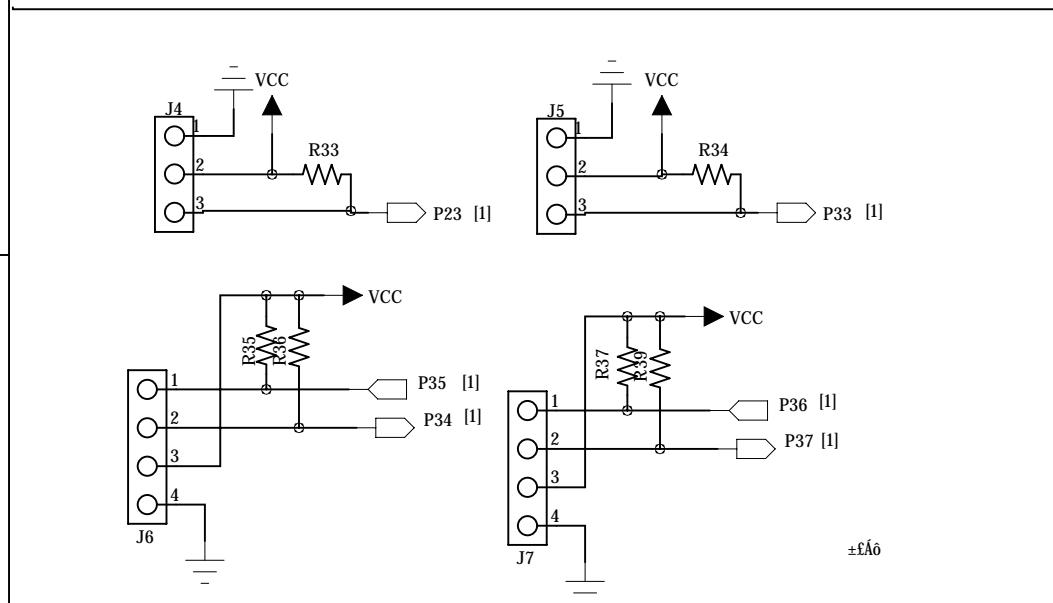
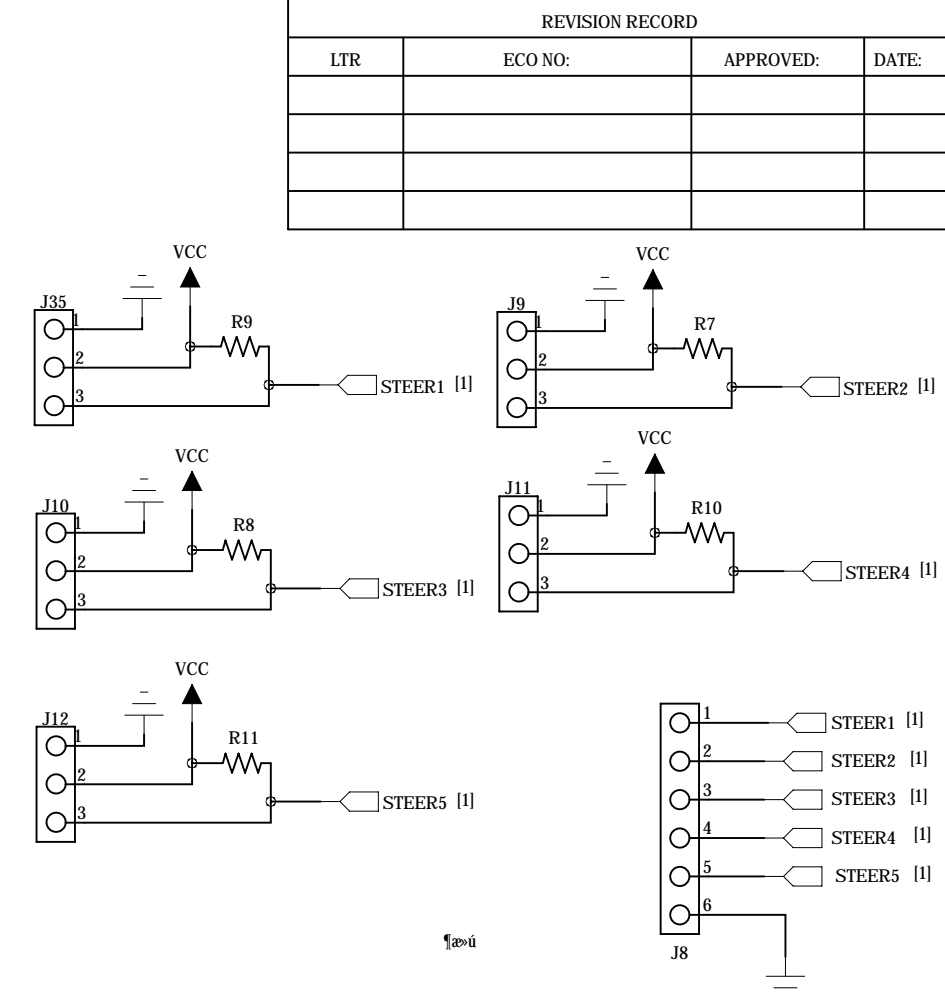
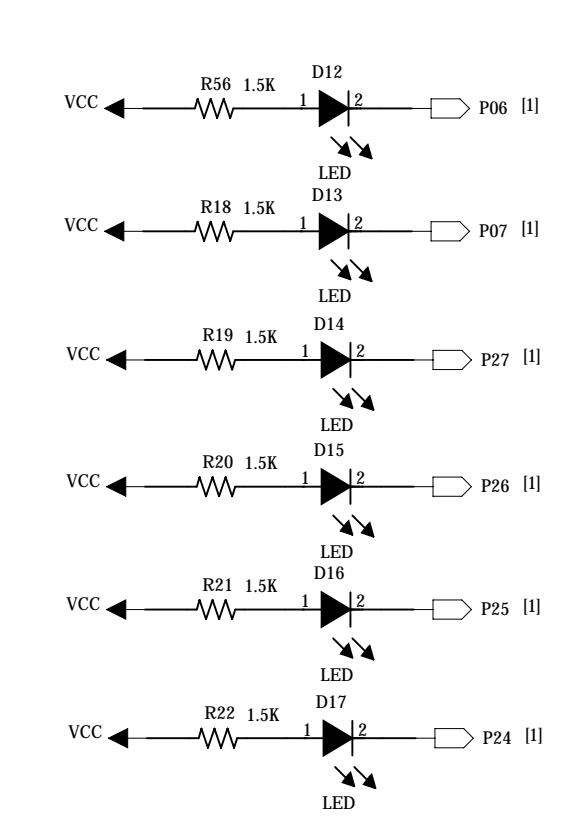
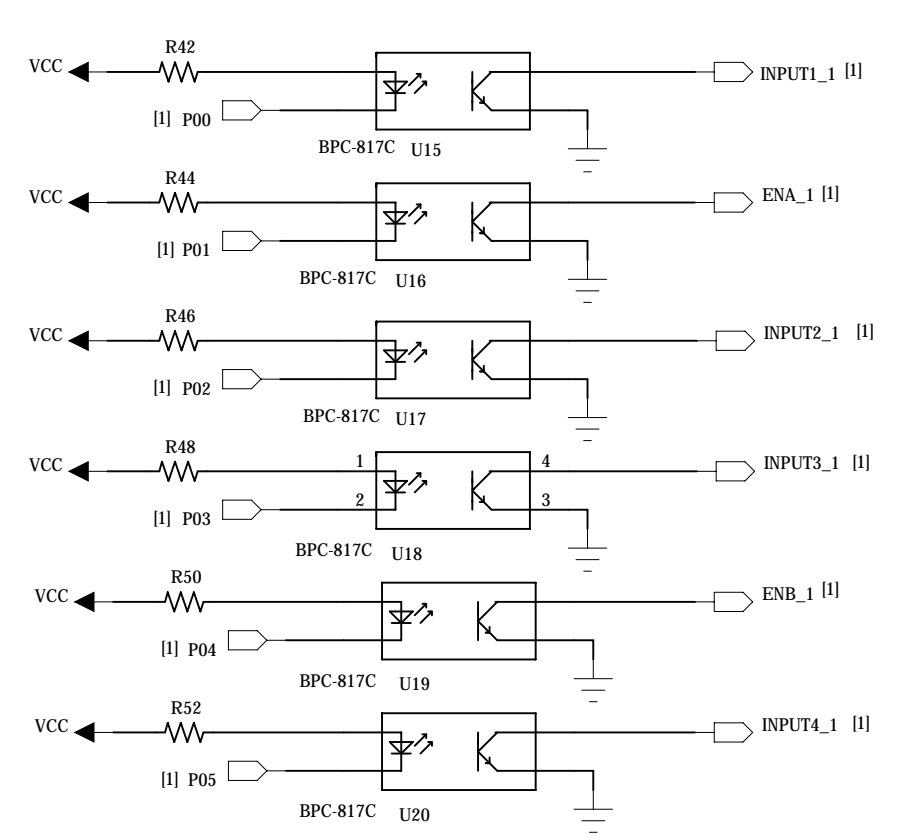
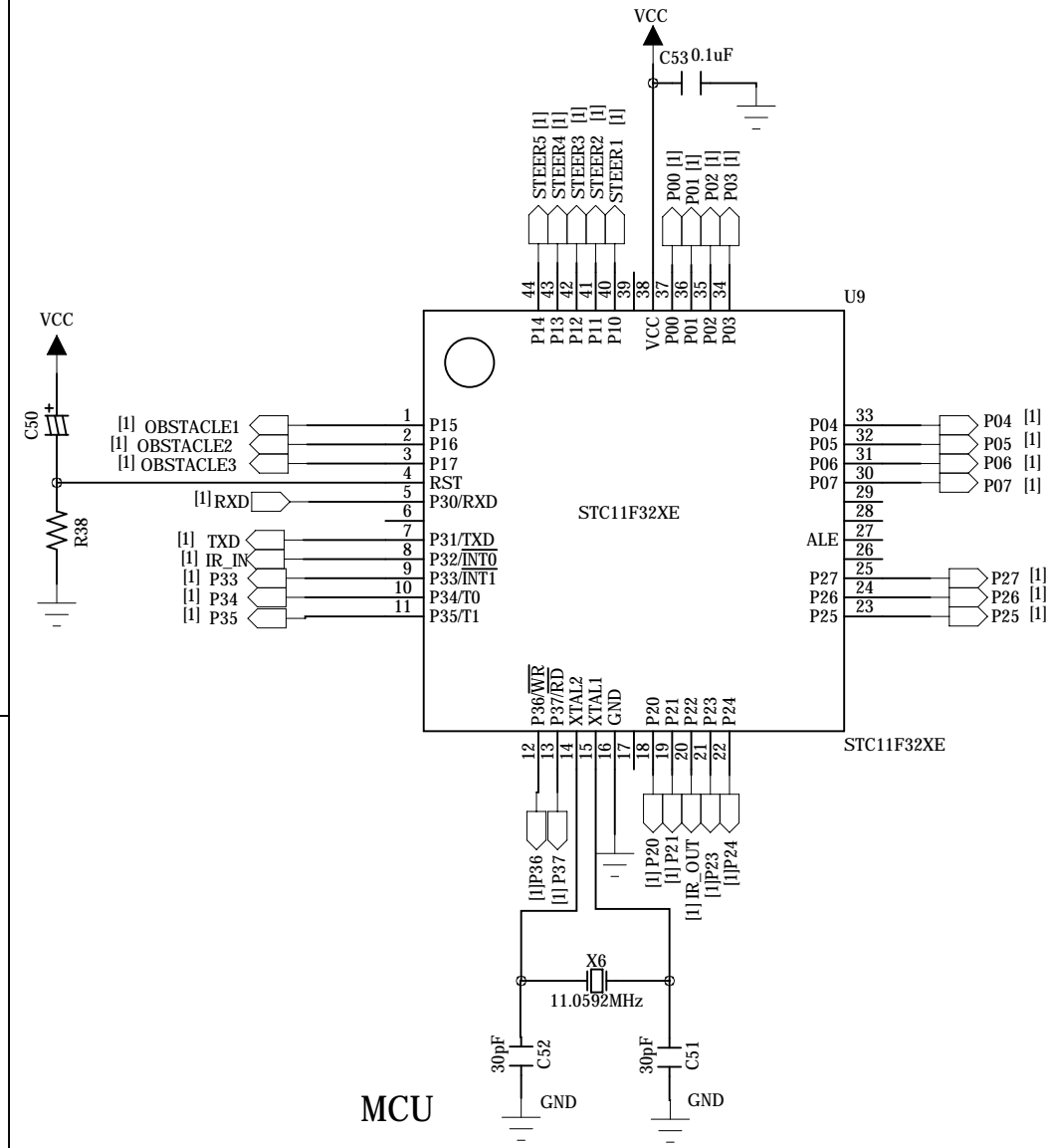
5

4

3

2

1



Power For Controller

DRAWN:	DATED:
CHECKED:	DATED:
QUALITY CONTROL:	DATED:
RELEASED:	DATED:

COMPANY: Shenzhen Xiaoer geek Technology Co. Ltd.			
TITLE: WiFi robot driver board			
CODE:	SIZE:	DRAWING NO:	REV:
SCALE:	SHEET: 1F		2

www.51duino.cn
 www.xiao-r.com
 www.wifi-robots.com
 all rights reserved